

# ELECTRONIC PRICE TAG

VORMATIC ESL TAG 2.6 SPECIFICATION

Datasheet: V1.0



# ESL TAG 2.6

## BRIEF INTRODUCTION

Vormatic Series, is independently designed by Vormatic, utilised the latest Bluetooth® Low Energy 5.0 Technology. VORMATIC ESL TAG 2.6 features the latest e-ink display technology, providing fully graphic display, agile & flexible price updates. Also it delivers a near 180° viewing angle for excellent readability.



## SPECIFICATION

|               |                  |
|---------------|------------------|
| Material      | ABS              |
| Color         | White            |
| Dimension     | 87 * 43 *13 mm   |
| Weight        | 38g              |
| Display Area  | 30.7 * 60 mm     |
| Resolution    | 152 * 296 px     |
| Pixel Density | 125 dpi          |
| Dot pitch     | 0.202 * 0.203 mm |
| Display Color | Black White Red  |
| Battery       | CR2450*2         |

## HIGHLIGHT



Pricing in 2s



5-year Battery  
(Update 5 Times/day)



SDK/REST API



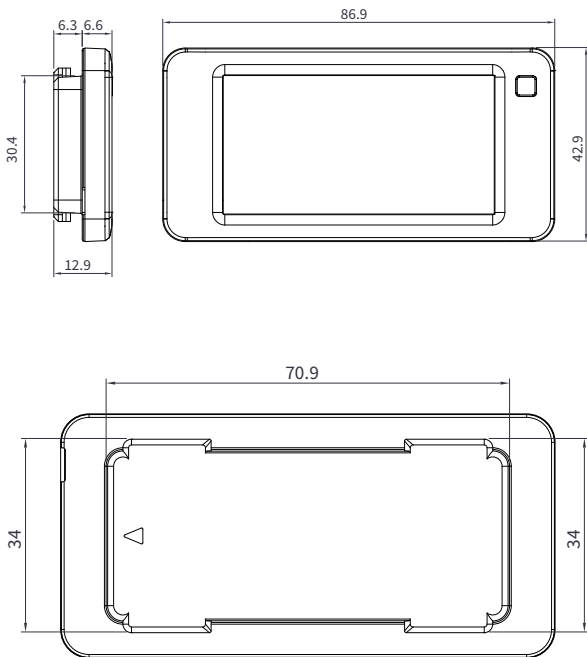
RGB LED Geolocation



Manage by Cloud



Synchronised  
with POS & ERP



## TECHNICAL PARAMETER

|                        |                          |
|------------------------|--------------------------|
| Communication Protocol | Bluetooth®Low Energy 5.0 |
| Broadcast Power        | 0 dBm                    |
| Transmitting Distance  | 15-60 Meters             |
| Static Current         | 5 uA                     |
| Operating Temperature  | 0°C-40°C                 |
| Storage Temperature    | -20°C-60°C               |

## COMPLIANCE

|               |                    |
|---------------|--------------------|
| Certification | BQB, CE, RoHS, FCC |
|---------------|--------------------|

**vormatic**<sup>®</sup>  
electronics