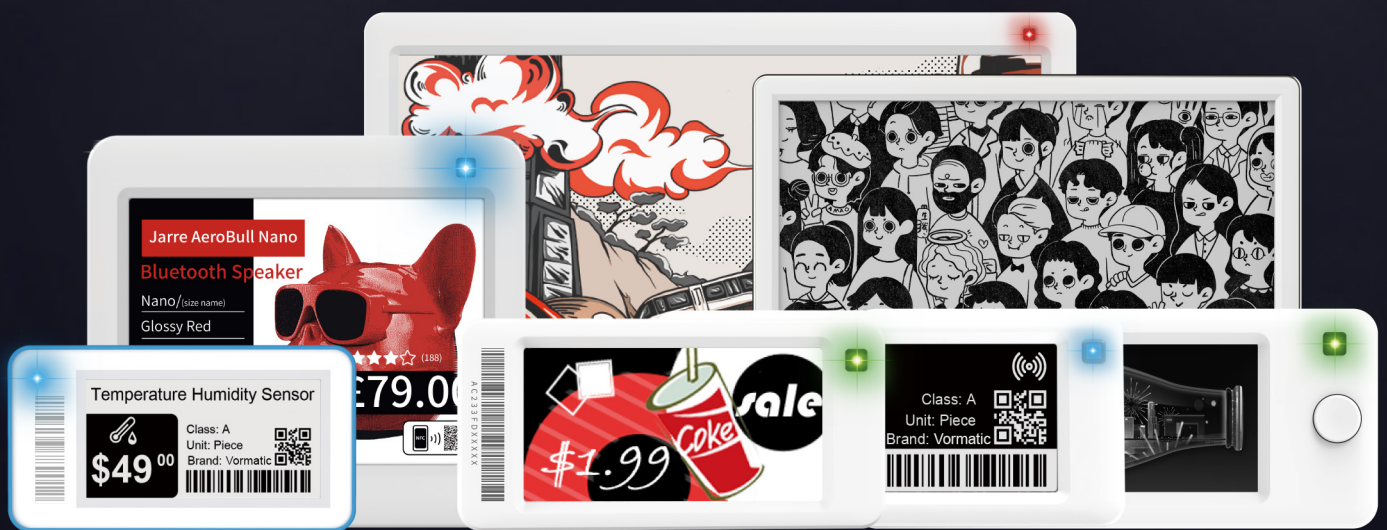


ELECTRONIC TAGS

VORMATIC ESL TAG 11.6 SPECIFICATION

Datasheet: V1.3



ESL TAG 11.6

BRIEF INTRODUCTION

Vormatic SuperGalaxy Series, independently designed by Vormatic, are utilising the latest Bluetooth® Low Energy 5.0 Technology. ESL TAG 11.6 features the latest e-ink display technology, providing fully graphic display, agile & flexible information updates. Also it delivers a near 180° viewing angle for excellent readability.

SPECIFICATION

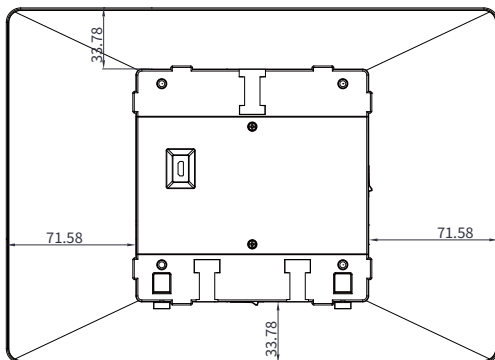
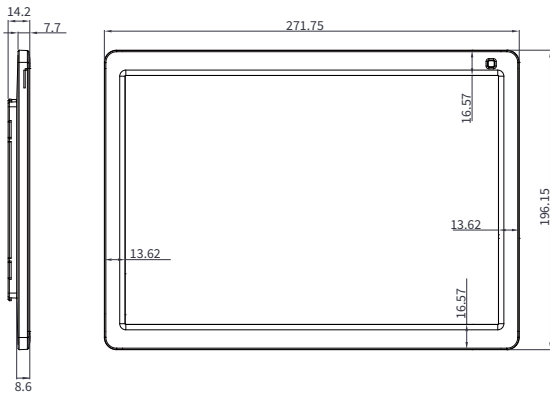
Material	ABS+PC
Color	White
Dimension	272 * 196 * 14 mm
Display Technology	EPD
Screen size	11.6 inch
Display Area	245* 163 mm
Resolution	960 * 640 px
Pixel Density	100 dpi
Weight	416 g
Battery Lifetime	5 Years(5 updates/day)
Fixing Ways	Bracket/Hanging/Wall-mounting etc.
Display Color	S Tag116R-Black/White/Red S Tag116Y-Black/White/Yellow S Tag116B-Black/White

TECHNICAL PARAMETER	
Communication Protocol	Bluetooth®Low Energy 5.0
Battery	CP783970*1/Rechargeable battery(Optional)
Transmitting Distance	30-60 Meters
Working Humidity	50±20%RH
Operating Temperature	0°C-50°C
Storage Temperature	-20°C-60°C
COMPLIANCE	
Certification	BQB/FCC/CE/RoHS



HIGHLIGHT

- Updating in seconds
- 5-year battery lifetime (5 updates/day)
- REST API
- RGB LED location
- Managed by Cloud/APP
- NFC Optional



FCC Requirement

Changes or modifications not expressly approved by the party responsible for compliance could void the user's authority to operate the equipment.

This device complies with Part 15 of the FCC Rules. Operation is subject to the following two conditions:

- (1) this device may not cause harmful interference, and
- (2) this device must accept any interference received, including interference that may cause undesired operation.

Note: This equipment has been tested and found to comply with the limits for a Class B digital device, pursuant to Part 15 of the FCC Rules. These limits are designed to provide reasonable protection against harmful interference in a residential installation. This equipment generates, uses, and can radiate radio frequency energy, and if not installed and used in accordance with the instructions, may cause harmful interference to radio communications. However, there is no guarantee that interference will not occur in a particular installation. If this equipment does cause harmful interference to radio or television reception, which can be determined by turning the equipment off and on, the user is encouraged to try to correct the interference by one or more of the following measures:

- Reorient or relocate the receiving antenna.
- Increase the separation between the equipment and receiver.
- Connect the equipment into an outlet on a circuit different from that to which the receiver is connected.
- Consult the dealer or an experienced radio/TV technician for help.

