

# ELECTRONIC PRICE TAG

## VORMATIC ESL TAG 4.2 SPECIFICATION

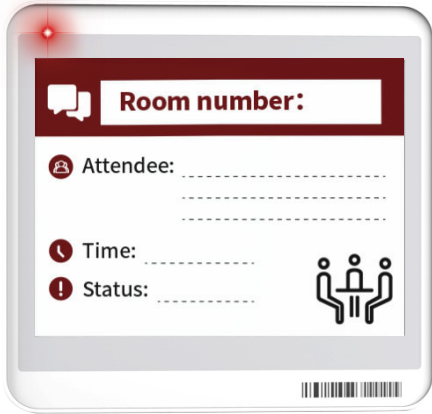
Datasheet: V1.0



# ESL TAG 4.2

## BRIEF INTRODUCTION

Vormatic Series, is independently designed by Vormatic, utilised the latest Bluetooth® Low Energy 5.0 Technology. VORMATIC ESL TAG 4.2 features the latest e-ink display technology, providing fully graphic display, agile & flexible price updates. Also it delivers a near 180° viewing angle for excellent readability.



## SPECIFICATION

Material	ABS
Color	White
Dimension	99 * 93.5 * 13.5 mm
Weight	110g
Display Area	85 * 64 mm
Resolution	400 * 300 px
Pixel Density	119 dpi
Dot pitch	0.212 * 0.212 mm
Display Color	Black White Red
Battery	CR2450*4

## HIGHLIGHT



Pricing in 2s



5-year Battery  
(Update 5 Times/day)



SDK/REST API



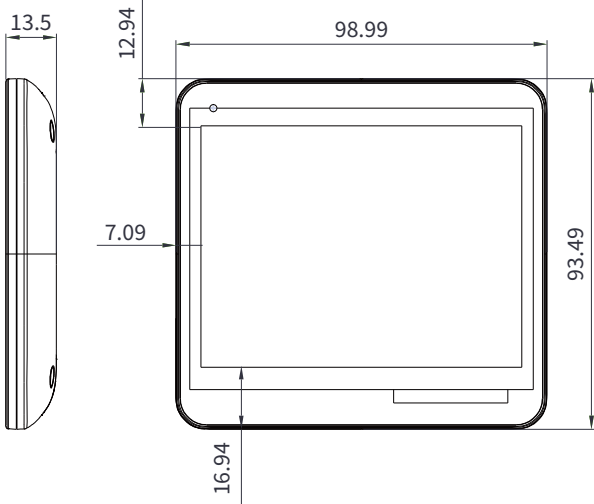
RGB LED Geolocation



Manage by Cloud



Synchronised  
with POS & ERP



## TECHNICAL PARAMETER

Communication Protocol	Bluetooth®Low Energy 5.0
Broadcast Power	0 dBm
Transmitting Distance	15-60 Meters
Static Current	5 uA
Operating Temperature	0°C-40°C
Storage Temperature	-20°C-60°C

## COMPLIANCE

Certification	BQB, CE, RoHS, FCC
---------------	--------------------

