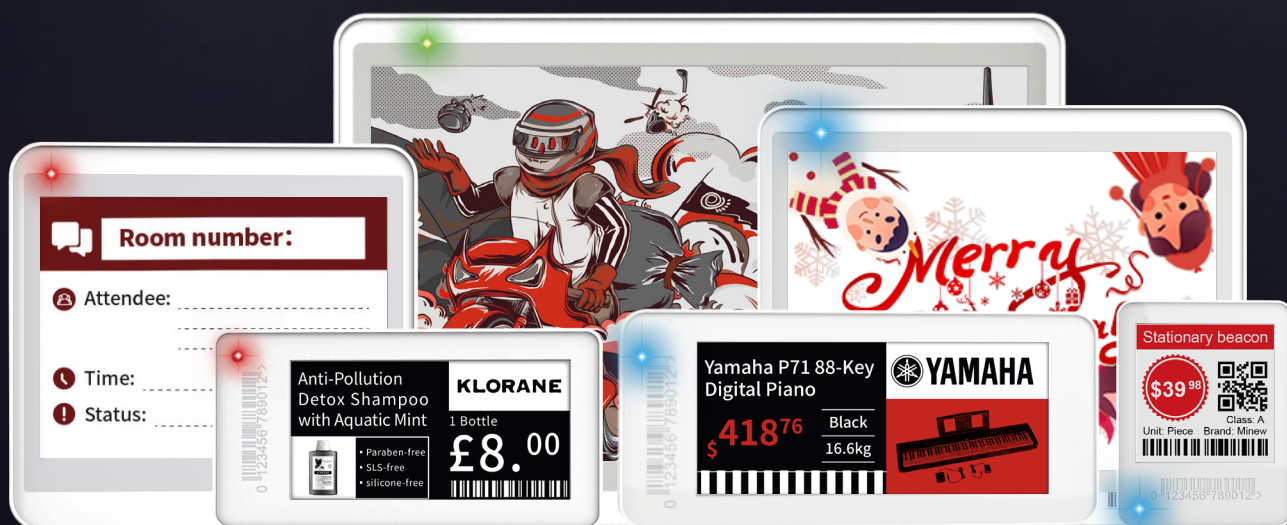


# ELECTRONIC PRICE TAG

## VORMATIC ESL TAG 2.9 SPECIFICATION

Datasheet: V1.0



# ESL TAG 2.9

## BRIEF INTRODUCTION

Vormatic Series, is independently designed by Vormatic, utilised the latest Bluetooth® Low Energy 5.0 Technology. VORMATIC ESL TAG 2.9 features the latest e-ink display technology, providing fully graphic display, agile & flexible price updates. Also it delivers a near 180° viewing angle for excellent readability.

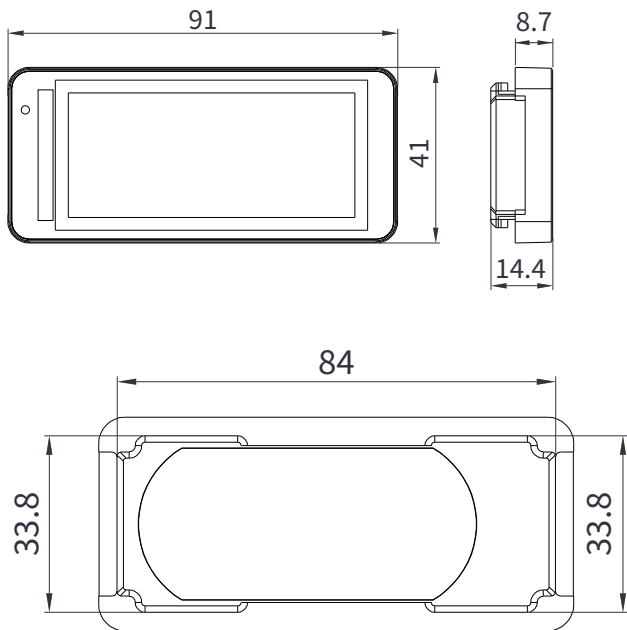
## SPECIFICATION

Material	ABS
Color	White
Dimension	91 * 41 * 14 mm
Weight	45 g
Display Area	66.90 * 29 mm
Resolution	296 * 128 px
Pixel Density	112 dpi
Dot pitch	0.227 * 0.226 mm
Display Color	Black White Red
Battery	CR2450*2



## HIGHLIGHT

- Pricing in 2s
- 5-year Battery (Update 5 Times/day)
- SDK/REST API
- RGB LED Geolocation
- Manage by Cloud
- Synchronised with POS & ERP



## TECHNICAL PARAMETER

Communication Protocol	Bluetooth®Low Energy 5.0
Broadcast Power	0 dBm
Transmitting Distance	15-60 Meters
Static Current	5 uA
Operating Temperature	0°C-40°C
Storage Temperature	-20°C-60°C

## COMPLIANCE

Certification	BQB, CE, RoHS, FCC
---------------	--------------------

